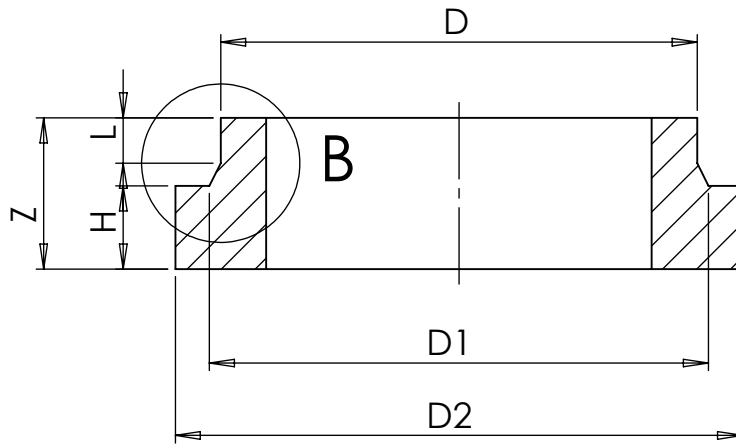
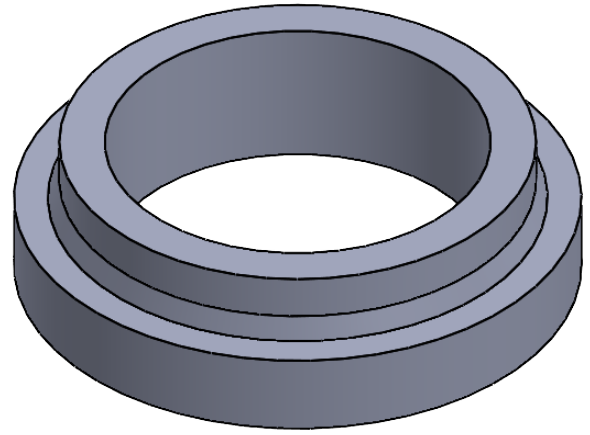


DETAIL B
SCALE 1 : 2



SDR 11 HDPE STUB ENDS

| DE | H | L | D1 | D2 | Z |
|-----|----|----|-----|-----|-----|
| 32 | 15 | 15 | 45 | 65 | 40 |
| 40 | 20 | 15 | 52 | 73 | 50 |
| 50 | 20 | 15 | 63 | 83 | 50 |
| 63 | 20 | 15 | 74 | 98 | 50 |
| 75 | 20 | 15 | 86 | 110 | 50 |
| 90 | 20 | 15 | 103 | 129 | 50 |
| 110 | 27 | 15 | 128 | 158 | 50 |
| 125 | 27 | 15 | 135 | 160 | 60 |
| 140 | 27 | 15 | 158 | 188 | 50 |
| 160 | 35 | 15 | 188 | 217 | 60 |
| 180 | 35 | 20 | 188 | 217 | 70 |
| 200 | 35 | 20 | 236 | 270 | 70 |
| 225 | 45 | 20 | 236 | 270 | 80 |
| 250 | 45 | 20 | 279 | 325 | 70 |
| 280 | 45 | 30 | 292 | 325 | 90 |
| 315 | 55 | 30 | 330 | 375 | 100 |
| 355 | 60 | 30 | 376 | 430 | 110 |
| 400 | 65 | 30 | 430 | 486 | 110 |
| 450 | 65 | 30 | 476 | 540 | 110 |
| 500 | 70 | 30 | 533 | 585 | 115 |
| 560 | 70 | 30 | 592 | 645 | 115 |
| 630 | 70 | 30 | 662 | 725 | 115 |